

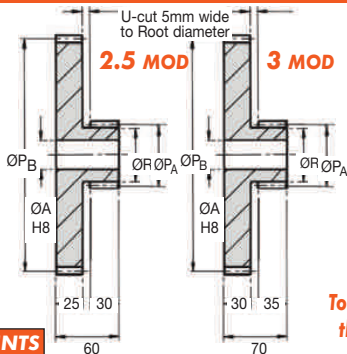
## Materials

STD : Steel 214M15/045M10

ALTERNATIVES : Stainless, Brass, Tufnol or Delrin

# Double Spur Gears

## 2.5, 3 MOD



**20° Pressure Angle**

**Other numbers of teeth available**

**Torque is dependent upon the type of pinions used.**

### DISCOUNTS

1 - 5	List Price
6 - 19	- 12%
20 - 39	- 25%
40 - 59	- 33%
60 - 99	- 37%
100 - 200	- 42%

For Torque Checks see Std. Spur Gears

For Corrected Teeth see Technical pages

**NOTE:** Certain sizes may need to be manufactured in 2 pieces

**ALL DIMENSIONS IN MILLIMETRES**

PART NUMBER	TEETH PITCH	TEETH GEAR A	PCD GEAR A	TEETH GEAR B	PCD GEAR B	BORE Ø	ROOT Ø	PRICE EACH 1 - 5
DG2.5-18/30	2.5	18	45	30	75.00	15	38.00	£106.58
DG2.5-18/40	2.5	18	45	40	100.00	15	38.00	£138.70
DG2.5-18/45	2.5	18	45	45	112.50	15	38.00	£228.68
DG2.5-18/50	2.5	18	45	50	125.00	15	38.00	£338.20
DG2.5-18/60	2.5	18	45	60	150.00	15	38.00	£422.97
DG2.5-18/70	2.5	18	45	70	175.00	15	38.00	£703.09
DG2.5-24/30	2.5	24	60	30	75.00	20	53.00	£174.83
DG2.5-24/40	2.5	24	60	40	100.00	20	53.00	£246.82
DG2.5-24/50	2.5	24	60	50	125.00	20	53.00	£338.20
DG2.5-24/60	2.5	24	60	60	150.00	20	53.00	£473.86
DG2.5-24/70	2.5	24	60	70	175.00	20	53.00	£698.14
DG3-20/30	3.0	20	60	30	90.00	25	51.50	£173.99
DG3-20/40	3.0	20	60	40	120.00	25	51.50	£209.02
DG3-20/50	3.0	20	60	50	150.00	25	51.50	£248.46
DG3-20/60	3.0	20	60	60	180.00	25	51.50	£364.99
DG3-20/80	3.0	20	60	80	240.00	25	51.50	£644.45
DG3-20/90	3.0	20	60	90	270.00	25	51.50	£758.70
DG3-24/48	3.0	24	72	48	144.00	25	63.00	£272.13
DG3-24/60	3.0	24	72	60	180.00	25	63.00	£364.39
DG3-24/72	3.0	24	72	72	216.00	25	63.00	£473.66
DG3-24/84	3.0	24	72	84	252.00	25	63.00	£667.99
DG3-24/96	3.0	24	72	96	288.00	25	63.00	£769.74

**Double Gears MOD 2.5**

