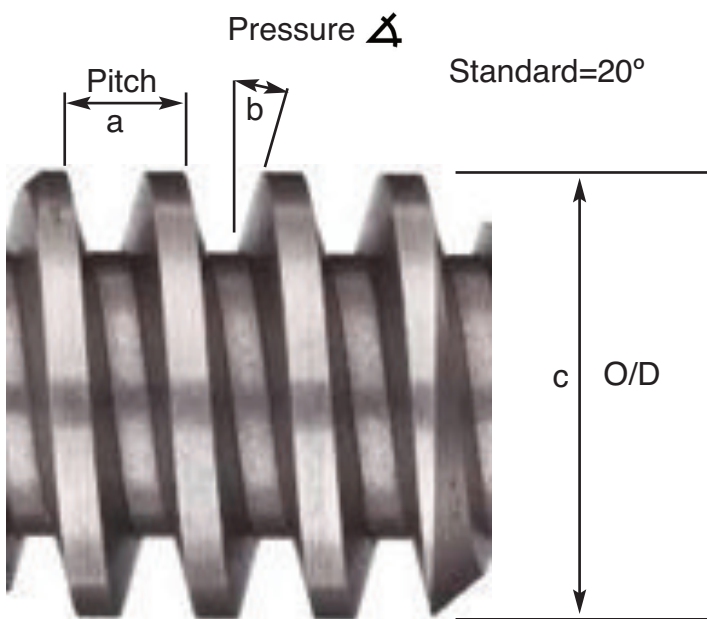


## Worm Gear Identification Guide

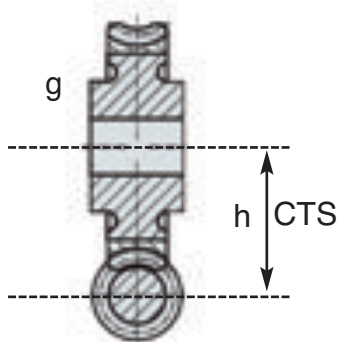
**The following measurements are needed to correctly identify a Worm Gear:**

Please send the details to the technical department.

- a) Pitch
- b) Pressure angle  $\Delta$
- c) O/D (Outside Diameter)
- d) Number of Starts
- e) Hand, left or right (RH shown)
- f) Number of teeth in wheel
- g) Wheel dimensions (Please send general wheel measurements)
- h) Shaft centres



$$MOD = \frac{\text{Pitch(mm)}}{\pi}$$



f

