

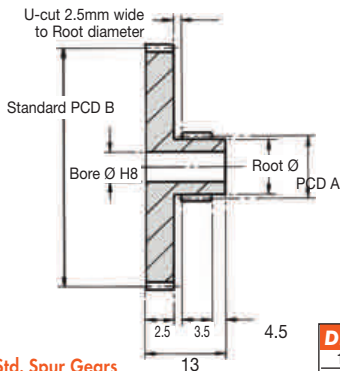
Double Spur Gears

Materials

0.25, 0.3 MOD

STD : Stainless Steel 303S21 (En58)

ALTERNATIVES : Steel, Brass, Tufnol or Delrin



20° Pressure Angle

Other numbers of teeth available

Torque is dependent upon the type of pinions used

For Torque Checks see Std. Spur Gears

For Corrected Teeth see Technical pages

NOTE: Certain sizes may need to be manufactured in 2 pieces

ALL DIMENSIONS IN MILLIMETRES

DISCOUNTS

Quantity	List Price
1 - 5	-
6 - 19	- 12%
20 - 39	- 25%
40 - 59	- 33%
60 - 99	- 37%
100 - 200	- 42%

MOD 0.25,0.3

Double Gears

PART NUMBER	TEETH PITCH	TEETH GEAR A	PCD GEAR A	TEETH GEAR B	PCD GEAR B	BORE Ø	ROOT Ø	PRICE EACH 1 - 5
DG0.25-20/40	0.25	20	5.00	40	10.00	2.50	4.15	£23.64
DG0.25-20/60	0.25	20	5.00	60	15.00	2.50	4.15	£24.96
DG0.25-20/80	0.25	20	5.00	80	20.00	2.50	4.15	£26.74
DG0.25-20/100	0.25	20	5.00	100	25.00	2.50	4.15	£27.89
DG0.25-20/120	0.25	20	5.00	120	30.00	2.50	4.15	£28.40
DG0.25-20/140	0.25	20	5.00	140	35.00	2.50	4.15	£29.27
DG0.25-24/60	0.25	24	6.00	60	15.00	3.00	5.15	£24.96
DG0.25-24/84	0.25	24	6.00	84	21.00	3.00	5.15	£26.74
DG0.25-24/108	0.25	24	6.00	108	27.00	3.00	5.15	£27.89
DG0.25-24/132	0.25	24	6.00	132	33.00	3.00	5.15	£28.40
DG0.25-24/156	0.25	24	6.00	156	39.00	3.00	5.15	£29.27
DG0.3-20/40	0.3	20	6.00	40	12.00	3.00	5.01	£23.64
DG0.3-20/60	0.3	20	6.00	60	18.00	3.00	5.01	£24.96
DG0.3-20/80	0.3	20	6.00	80	24.00	3.00	5.01	£26.74
DG0.3-20/100	0.3	20	6.00	100	30.00	3.00	5.01	£27.89
DG0.3-20/120	0.3	20	6.00	120	36.00	3.00	5.01	£28.40
DG0.3-20/140	0.3	20	6.00	140	42.00	3.00	5.01	£29.27
DG0.3-24/60	0.3	24	7.20	60	16.00	3.00	6.21	£24.96
DG0.3-24/84	0.3	24	7.20	84	25.20	3.00	6.21	£26.74
DG0.3-24/108	0.3	24	7.20	108	32.40	3.00	6.21	£27.89
DG0.3-24/132	0.3	24	7.20	132	39.16	3.00	6.21	£28.40
DG0.3-24/156	0.3	24	7.20	156	46.80	3.00	6.21	£29.27

18.2



Unit 14, Foxwood Ind. Park, Foxwood Rd. Chesterfield, Derbyshire S41 9RN

Telephone +44(0)1246 268080 Fax +44(0)1246 260003