

TECHNICAL REQUEST

photocopy double

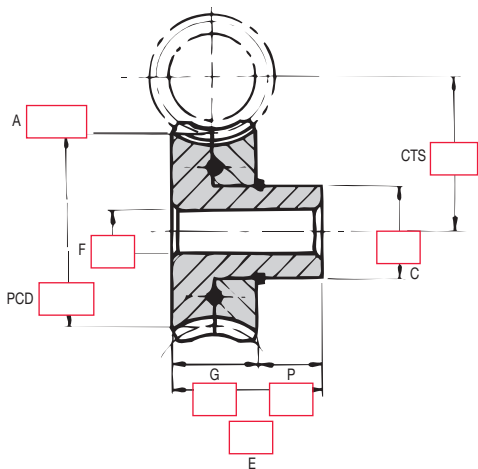
size and fax on

+44 (0)1246 260003

Non-Standard A-B Wormwheels

QUANTITY	_____	BORE DIAMETER (F)	_____
MATERIAL	_____	FACE WIDTH (G)	_____
NUMBER OF TEETH	_____	CENTRES (C)	_____
PITCH CIRCLE DIAMETER (PCD)	_____	FIXING SCREW (✓)	YES <input type="checkbox"/> NO <input type="checkbox"/>
OUTSIDE DIAMETER (A)	_____	FIXING SCREW LOCATION	_____
BOSS DIAMETER (C)	_____	KEYWAY (✓)	YES <input type="checkbox"/> NO <input type="checkbox"/>
BOSS WIDTH (D)	_____	HARDENED (✓)	YES <input type="checkbox"/> NO <input type="checkbox"/>
OVERALL WIDTH (E)	_____		

SPECIAL FEATURES



16.0



Unit 14, Foxwood Industrial Park, Foxwood Road, Chesterfield, Derbyshire S41 9RN

Telephone +44(0)1246 268080 Fax +44(0)1246 260003