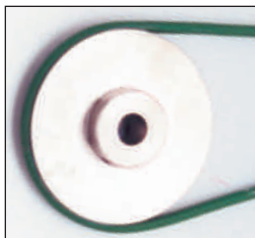
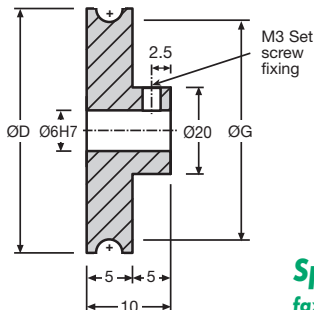


Materials Round Pulleys & Polyurethane Round Belts

STD : Stainless Steel 303S21/304S31 (En58)

Ø2



Specials available
fax your details for a quote.

DISCOUNTS

1 - 5	List Price
6 - 19	- 12%
20 - 39	- 25%
40 - 59	- 33%
60 - 99	- 37%
100 - 200	- 42%

Nominal Power (kw) Tension 8%

Belt Dia.	Speed (m/sec)				Dynamic Load on Axis (N)	Min. Pulleys Dia.
	2.5	05	10	15		
Rough	2	0.01	0.02	0.04	0.06	5.80 9 15

Other diameters available up to Ø150 P.O.A.

Material for pulleys : 303 S21/31 Grade Stainless Steel.

PART NUMBER	PULLEYS FOR Ø2 BELTS (PRB2)		PRICE EACH 1 - 5
	ØD	Groove ØG	
RBP2-20	Ø20	Ø18	£8.96
RBP2-25	Ø25	Ø23	£10.32
RBP2-30	Ø30	Ø28	£11.59
RBP2-35	Ø35	Ø33	£13.19
RBP2-40	Ø40	Ø38	£15.38
RBP2-45	Ø45	Ø43	£17.62
RBP2-50	Ø50	Ø48	£20.50
RBP2-55	Ø55	Ø53	£23.64
RBP2-60	Ø60	Ø58	£27.22

Materials

STD : Polyurethane

Colour: Green Max. Tension Fig. 12%
Working Temp. Range -30°C to +80°C
Tolerance Diameter ±0.10
Good Chemical / Oil / Abrasive Resistance
Hardness : 88A

Round Pulley Belts

PART NUMBER	Ø BELT	PRICE PER 100mm
PRB2	Ø2	£0.82

A BELT JOINING KIT is also available for £527.57

Unit 14, Foxwood Ind. Park, Foxwood Rd. Chesterfield, Derbyshire S41 9RN

Telephone +44(0)1246 268080 Fax +44(0)1246 260003



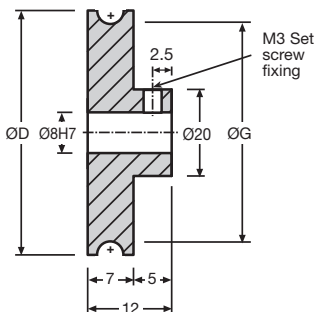
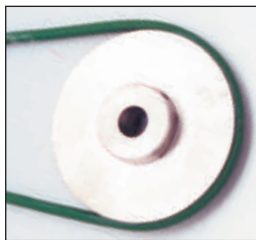
12.119

Pulleys & Belts Ø2

Round Pulleys & Polyurethane Round Belts **Materials**

Ø3

STD : Stainless Steel 303S21/304S31 (En58)



Specials available

fax your details for a quote.

Belt Dia.	Nominal Power (kw) Tension 8%				Dynamic Load on Axis (N)			Min. Pulleys Dia.
	Speed (m/sec)	2.5	05	10	4%	8%	21	
Rough	3	0.02	0.05	0.07	0.12	13.00	21	20

Other diameters available up to Ø150 P.O.A.
Material for pulleys : 303 S21/31 Grade Stainless Steel.

DISCOUNTS

Quantity	List Price
1 - 5	-
6 - 19	- 12%
20 - 39	- 25%
40 - 59	- 33%
60 - 99	- 37%
100 - 200	- 42%

Pulleys & Belts Ø3

PULLEYS FOR Ø3 BELTS (PRB3)			PRICE EACH 1 - 5
PART NUMBER	ØD	Groove ØG	
RBP3-20	Ø20	Ø17	£9.72
RBP3-25	Ø25	Ø22	£11.03
RBP3-30	Ø30	Ø27	£11.85
RBP3-35	Ø35	Ø32	£13.99
RBP3-40	Ø40	Ø37	£16.35
RBP3-45	Ø45	Ø42	£18.88
RBP3-50	Ø50	Ø47	£21.09
RBP3-55	Ø55	Ø52	£24.63
RBP3-60	Ø60	Ø57	£28.21

Round Pulley Belts

Materials

STD : Polyurethane

PART NUMBER	Ø BELT	PRICE PER 100mm
PRB3	Ø3	£1.41

Colour: Green Max. Tension Fig. 12%
Working Temp. Range -30°C to +80°C
Tolerance Diameter ±0.10
Good Chemical / Oil / Abrasive Resistance
Hardness : 88A

A BELT JOINING KIT is also available for £527.57

12.120

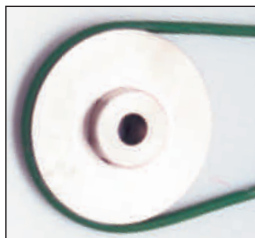
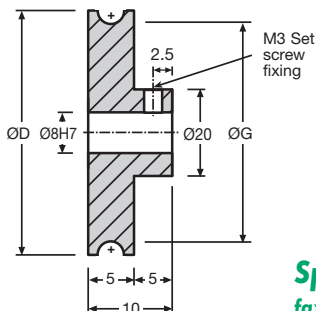


Unit 14, Foxwood Ind. Park, Foxwood Rd. Chesterfield, Derbyshire S41 9RN
Telephone +44(0)1246 268080 Fax +44(0)1246 260003

Materials Round Pulleys & Polyurethane Round Belts

STD : Stainless Steel 303S21/304S31 (En58)

Ø4



Specials available
fax your details for a quote.

DISCOUNTS

1 - 5	List Price
6 - 19	- 12%
20 - 39	- 25%
40 - 59	- 33%
60 - 99	- 37%
100 - 200	- 42%

Maximum working load : 3.4Kg (7.5lbs)

Pull force at pre-tension

1% = 0.55 Kg (1.2 lbs)

2% = 1.09 Kg (2.4 lbs)

3% = 1.64 Kg (3.6 lbs)

Other diameters available up to Ø150 P.O.A.

Material for pulleys : 303 S21/31 Grade Stainless Steel.

PULLEYS FOR Ø4 BELTS (PRB4)			PRICE EACH 1 - 5
PART NUMBER	ØD	Groove ØG	
RBP4-30	Ø30	Ø26	£13.04
RBP4-35	Ø35	Ø31	£14.36
RBP4-40	Ø40	Ø36	£15.45
RBP4-45	Ø45	Ø41	£17.13
RBP4-50	Ø50	Ø46	£18.23
RBP4-55	Ø55	Ø51	£24.63
RBP4-60	Ø60	Ø56	£28.90
RBP4-65	Ø65	Ø61	£34.02
RBP4-70	Ø70	Ø66	£38.04

Materials

STD : Polyurethane

Round Pulley Belts

Colour: Green Max. Tension Fig. 12%

Working Temp. Range -30°C to +80°C

Tolerance Diameter ±0.10

Good Chemical / Oil / Abrasive Resistance

Hardness : 88A

PART NUMBER	Ø BELT	PRICE PER 100mm
PRB4	Ø4	£1.62

A BELT JOINING KIT is also available for £527.57

Unit 14, Foxwood Ind. Park, Foxwood Rd. Chesterfield, Derbyshire S41 9RN

Telephone +44(0)1246 268080 Fax +44(0)1246 260003



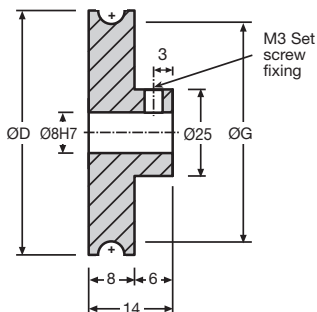
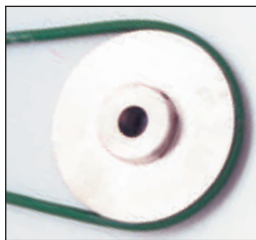
12.121

Pulleys & Belts Ø4

Round Pulleys & Polyurethane Round Belts *Materials*

Ø5

STD : *Stainless Steel 303S21/304S31 (En58)*



Specials available
fax your details for a quote.

Maximum working load : 5.3Kg (11.7lbs)

Pull force at pre-tension

1% = 0.86 Kg (1.9 lbs)

2% = 1.68 Kg (3.7 lbs)

3% = 2.55 Kg (5.6 lbs)

Other diameters available up to Ø150 P.O.A.

Material for pulleys : 303 S21/31 Grade Stainless Steel.

DISCOUNTS

1 - 5	List Price
6 - 19	- 12%
20 - 39	- 25%
40 - 59	- 33%
60 - 99	- 37%
100 - 200	- 42%

PULLEYS FOR Ø5 BELTS (PRB5)

PART NUMBER	ØD	Groove ØG	PRICE EACH 1 - 5
RBP5-50	Ø50	Ø45	£18.84
RBP5-55	Ø55	Ø50	£23.31
RBP5-60	Ø60	Ø55	£28.95
RBP5-65	Ø65	Ø60	£34.97
RBP5-70	Ø70	Ø65	£39.73
RBP5-75	Ø75	Ø70	£46.91
RBP5-80	Ø80	Ø75	£56.60
RBP5-85	Ø85	Ø80	£68.75
RBP5-90	Ø90	Ø85	£80.83

Round Pulley Belts

Materials

STD : *Polyurethane*

PART NUMBER	Ø BELT	PRICE PER 100mm
PRB5	Ø5	£2.35

Colour: Green Max. Tension Fig. 12%

Working Temp. Range -30°C to +80°C

Tolerance Diameter ±0.10

Good Chemical / Oil / Abrasive Resistance

Hardness : 88A

A BELT JOINING KIT is also available for £527.57

12.122

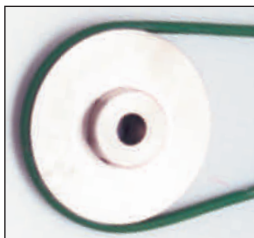
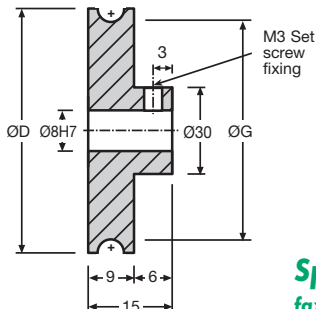


Unit 14, Foxwood Ind. Park, Foxwood Rd. Chesterfield, Derbyshire S41 9RN
Telephone +44(0)1246 268080 Fax +44(0)1246 260003

Materials Round Pulleys & Polyurethane Round Belts

STD : Stainless Steel 303S21/304S31 (En58)

Ø6



Specials available
fax your details for a quote.

DISCOUNTS

1 - 5	List Price
6 - 19	- 12%
20 - 39	- 25%
40 - 59	- 33%
60 - 99	- 37%
100 - 200	- 42%

Maximum working load : 7.64Kg (16.8lbs)

Pull force at pre-tension

1% = 1.23 Kg (2.7 lbs)

2% = 2.36 Kg (5.4 lbs)

3% = 3.68 Kg (8.1 lbs)

Other diameters available up to Ø150 P.O.A.

Material for pulleys : 303 S21/31 Grade Stainless Steel.

PART NUMBER	PULLEYS FOR Ø6 BELTS (PRB6)		PRICE EACH 1 - 5
	ØD	Groove ØG	
RBP6-54	Ø54	Ø48	£20.10
RBP6-60	Ø60	Ø54	£26.55
RBP6-66	Ø66	Ø60	£31.55
RBP6-72	Ø72	Ø66	£42.91
RBP6-78	Ø78	Ø72	£51.08
RBP6-84	Ø84	Ø78	£59.02
RBP6-90	Ø90	Ø84	£67.55
RBP6-96	Ø96	Ø90	£74.61
RBP6-102	Ø102	Ø96	£80.77

Materials

STD : Polyurethane

Colour: Green Max. Tension Fig. 12%

Working Temp. Range -30°C to +80°C

Tolerance Diameter ±0.10

Good Chemical / Oil / Abrasive Resistance

Hardness : 88A

Round Pulley Belts

PART NUMBER	Ø BELT	PRICE PER 100mm
PRB6	Ø6	£3.16

A BELT JOINING KIT is also available for £527.57

Unit 14, Foxwood Ind. Park, Foxwood Rd. Chesterfield, Derbyshire S41 9RN

Telephone +44(0)1246 268080 Fax +44(0)1246 260003



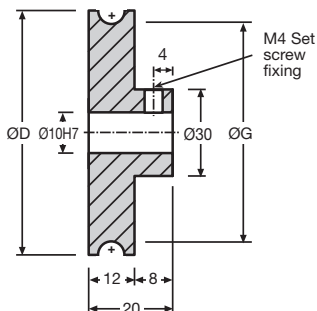
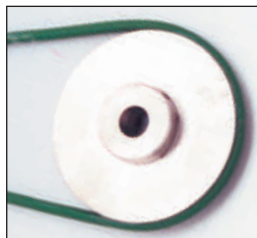
12.123

Pulleys & Belts Ø6

Round Pulleys & Polyurethane Round Belts Materials

Ø8

STD : Stainless Steel 303S21/304S31 (En58)



Specials available
fax your details for a quote.

Maximum working load : 13.59Kg (29.9lbs)

Pull force at pre-tension

1% = 2.18 Kg (4.8 lbs)

2% = 4.36 Kg (9.6 lbs)

3% = 6.36 Kg (14.0 lbs)

Other diameters available up to Ø150 P.O.A.

Material for pulleys : 303 S21/31 Grade Stainless Steel.

DISCOUNTS

Quantity	List Price
1 - 5	
6 - 19	- 12%
20 - 39	- 25%
40 - 59	- 33%
60 - 99	- 37%
100 - 200	- 42%

PULLEYS FOR Ø8 BELTS (PRB8)

PART NUMBER	ØD	Groove ØG	PRICE EACH 1 - 5
RBP8-75	Ø75	Ø67	£73.32
RBP8-80	Ø80	Ø72	£75.06
RBP8-85	Ø85	Ø77	£77.80
RBP8-90	Ø90	Ø82	£80.35
RBP8-95	Ø95	Ø87	£81.65
RBP8-100	Ø100	Ø92	£83.05
RBP8-105	Ø105	Ø97	£86.05
RBP8-110	Ø110	Ø102	£88.28
RBP8-120	Ø120	Ø112	£90.34

Round Pulley Belts

Materials

STD : Polyurethane

PART NUMBER	Ø BELT	PRICE PER 100mm
PRB8	Ø8	£5.49

Colour: Green Max. Tension Fig. 12%

Working Temp. Range -30°C to +80°C

Tolerance Diameter ±0.10

Good Chemical / Oil / Abrasive Resistance

Hardness : 88A

A BELT JOINING KIT is also available for £527.57

12.124

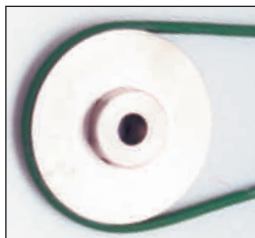
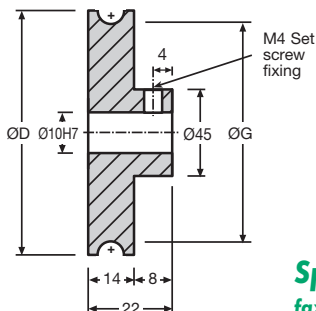


Unit 14, Foxwood Ind. Park, Foxwood Rd. Chesterfield, Derbyshire S41 9RN
Telephone +44(0)1246 268080 Fax +44(0)1246 260003

Materials Round Pulleys & Polyurethane Round Belts

STD : Stainless Steel 303S21/304S31 (En58)

Ø10



Specials available
fax your details for a quote.

DISCOUNTS

1 - 5	List Price
6 - 19	- 12%
20 - 39	- 25%
40 - 59	- 33%
60 - 99	- 37%
100 - 200	- 42%

Maximum working load : 21.23Kg (46.7lbs)

Pull force at pre-tension

1% = 3.41 Kg (7.5 lbs)

2% = 6.82 Kg (15.0 lbs)

3% = 10.23 Kg (22.5 lbs)

Other diameters available up to Ø150 P.O.A.

Material for pulleys : 303 S21/31 Grade Stainless Steel.

PART NUMBER	PULLEYS FOR Ø10 BELTS (PRB10)		PRICE EACH 1 - 5
	ØD	Groove ØG	
RBP10-90	Ø90	Ø80	£70.02
RBP10-95	Ø95	Ø85	£76.55
RBP10-100	Ø100	Ø90	£83.54
RBP10-105	Ø105	Ø95	£91.98
RBP10-110	Ø110	Ø100	£98.42
RBP10-115	Ø115	Ø105	£107.06
RBP10-120	Ø120	Ø110	£120.05
RBP10-125	Ø125	Ø115	£132.91
RBP10-130	Ø130	Ø120	£145.71

Materials

STD : Polyurethane

Round Pulley Belts

Colour: Green Max. Tension Fig. 12%
Working Temp. Range -30°C to +80°C
Tolerance Diameter ±0.10
Good Chemical / Oil / Abrasive Resistance
Hardness : 88A

PART NUMBER	Ø BELT	PRICE PER 100mm
PRB10	Ø10	£8.81

A BELT JOINING KIT is also available for £527.57

Unit 14, Foxwood Ind. Park, Foxwood Rd. Chesterfield, Derbyshire S41 9RN

Telephone +44(0)1246 268080 Fax +44(0)1246 260003



12.125

Pulleys & Belts Ø10