

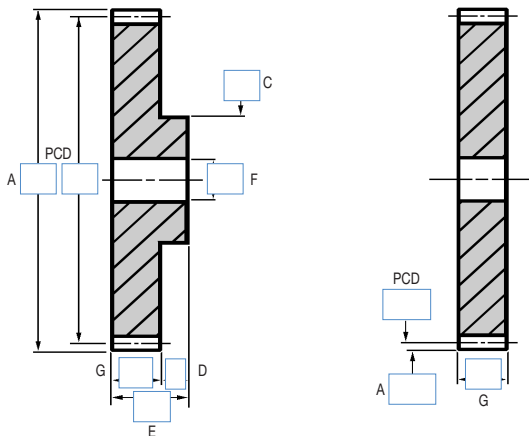
TECHNICAL REQUEST

Non-Standard Helical Gears

photocopy double
size and fax on
+44 (0)1246 260003

QUANTITY	_____	BORE DIAMETER (F)	_____
MATERIAL	_____	FACE WIDTH (G)	_____
NUMBER OF TEETH	_____	FIXING SCREW (✓)	YES <input type="checkbox"/> NO <input type="checkbox"/>
PITCH CIRCLE DIAMETER (PCD)	_____	FIXING SCREW LOCATION	_____
OUTSIDE DIAMETER (A)	_____	KEYWAY (✓)	YES <input type="checkbox"/> NO <input type="checkbox"/>
PITCH (B)	_____	HARDENED (✓)	YES <input type="checkbox"/> NO <input type="checkbox"/>
BOSS DIAMETER (C)	_____	LEFT HAND (✓) <input type="checkbox"/> or RIGHT HAND (✓) <input type="checkbox"/>	
BOSS WIDTH (D)	_____	PARALLEL (✓) <input type="checkbox"/> or CROSSED (✓) <input type="checkbox"/>	
OVERALL WIDTH (E)	_____		

SPECIAL FEATURES



668



Unit 14, Foxwood Industrial Park, Foxwood Road, Chesterfield, Derbyshire S41 9RN

Telephone +44(0)1246 268080

Fax +44(0)1246 260003