

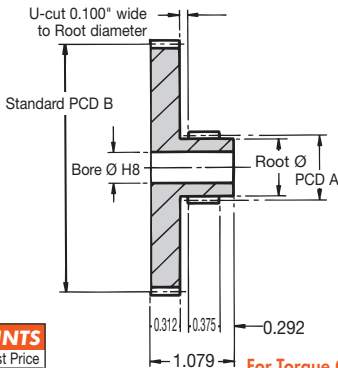
Materials

STD : Steel 214M15/045M10

ALTERNATIVES : Stainless, Brass, Tufnol or Delrin

Double Spur Gears

24, 20 DP



20° Pressure Angle

Other numbers of teeth available

Torque is dependent upon the type of pinions used

DISCOUNTS

Quantity	List Price
1 - 5	
6 - 19	- 12%
20 - 39	- 25%
40 - 59	- 33%
60 - 99	- 37%
100 - 200	- 42%

For Torque Checks see Std. Spur Gears

For Corrected Teeth see Technical pages

NOTE: Certain sizes may need to be manufactured in 2 pieces

ALL DIMENSIONS IN INCHES

PART NUMBER	TEETH PITCH	TEETH GEAR A	PCD GEAR A	TEETH GEAR B	PCD GEAR B	BORE Ø	ROOT Ø	PRICE EACH 1 - 5
DG24-15/30	24	15	0.667	30	1.250	0.312	12.76	£24.40
DG24-15/40	24	15	0.667	40	1.666	0.312	12.76	£24.87
DG24-15/45	24	15	0.667	45	1.875	0.312	12.76	£25.55
DG24-15/50	24	15	0.667	50	2.083	0.312	12.76	£25.98
DG24-15/60	24	15	0.667	60	2.500	0.312	12.76	£26.59
DG24-15/70	24	15	0.667	70	2.917	0.312	12.76	£27.47
DG24-20/30	24	20	0.833	30	1.250	0.375	18.05	£24.87
DG24-20/40	24	20	0.833	40	1.666	0.375	18.05	£25.55
DG24-20/50	24	20	0.833	50	2.083	0.375	18.05	£25.98
DG24-20/60	24	20	0.833	60	2.500	0.375	18.05	£26.59
DG24-20/70	24	20	0.833	70	2.917	0.375	18.05	£27.47
DG20-12/24	20	12	0.650	24	1.200	0.312	11.91	£24.40
DG20-12/32	20	12	0.650	32	1.600	0.312	11.91	£25.20
DG20-12/36	20	12	0.650	36	1.800	0.312	11.91	£25.55
DG20-12/40	20	12	0.650	40	2.000	0.312	11.91	£25.98
DG20-12/48	20	12	0.650	48	2.400	0.312	11.91	£26.59
DG20-12/60	20	12	0.650	60	3.000	0.312	11.91	£27.47
DG20-16/24	20	16	0.850	24	1.200	0.375	16.99	£24.87
DG20-16/32	20	16	0.850	32	1.600	0.375	16.99	£25.55
DG20-16/36	20	16	0.850	36	1.800	0.375	16.99	£25.98
DG20-16/48	20	16	0.850	48	2.400	0.375	16.99	£26.59
DG20-16/60	20	16	0.850	60	3.000	0.375	16.99	£27.47

Double Gears DP 24,20

