

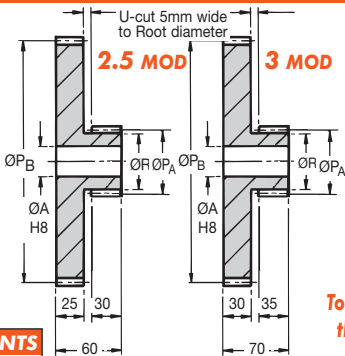
Materials

STD : Steel 214M15/045M10

ALTERNATIVES : Stainless, Brass, Tufnol or Delrin

Double Spur Gears

2.5, 3 MOD



20° Pressure Angle

Other numbers of teeth available

Torque is dependent upon the type of pinions used.

DISCOUNTS

1 - 5	List Price
6 - 19	- 12%
20 - 39	- 25%
40 - 59	- 33%
60 - 99	- 37%
100 - 200	- 42%

For Torque Checks see Std. Spur Gears

For Corrected Teeth see Technical pages

NOTE: Certain sizes may need to be manufactured in 2 pieces

ALL DIMENSIONS IN MILLIMETRES

PART NUMBER	TEETH PITCH	TEETH GEAR A	PCD GEAR A	TEETH GEAR B	PCD GEAR B	BORE Ø	ROOT Ø	PRICE EACH 1 - 5
DG2.5-18/30	2.5	18	45	30	75.00	15	38.00	£86.06
DG2.5-18/40	2.5	18	45	40	100.00	15	38.00	£111.99
DG2.5-18/45	2.5	18	45	45	112.50	15	38.00	£184.61
DG2.5-18/50	2.5	18	45	50	125.00	15	38.00	£273.02
DG2.5-18/60	2.5	18	45	60	150.00	15	38.00	£341.46
DG2.5-18/70	2.5	18	45	70	175.00	15	38.00	£567.60
DG2.5-24/30	2.5	24	60	30	75.00	20	53.00	£141.15
DG2.5-24/40	2.5	24	60	40	100.00	20	53.00	£199.26
DG2.5-24/50	2.5	24	60	50	125.00	20	53.00	£273.02
DG2.5-24/60	2.5	24	60	60	150.00	20	53.00	£382.55
DG2.5-24/70	2.5	24	60	70	175.00	20	53.00	£563.60
DG3-20/30	3.0	20	60	30	90.00	25	51.50	£140.47
DG3-20/40	3.0	20	60	40	120.00	25	51.50	£168.76
DG3-20/50	3.0	20	60	50	150.00	25	51.50	£200.59
DG3-20/60	3.0	20	60	60	180.00	25	51.50	£294.65
DG3-20/80	3.0	20	60	80	240.00	25	51.50	£520.24
DG3-20/90	3.0	20	60	90	270.00	25	51.50	£612.48
DG3-24/48	3.0	24	72	48	144.00	25	63.00	£219.69
DG3-24/60	3.0	24	72	60	180.00	25	63.00	£294.18
DG3-24/72	3.0	24	72	72	216.00	25	63.00	£382.39
DG3-24/84	3.0	24	72	84	252.00	25	63.00	£539.25
DG3-24/96	3.0	24	72	96	288.00	25	63.00	£621.39

Double Gears MOD 2.5, 3

