

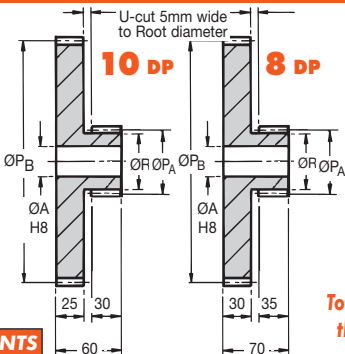
Materials

STD : Steel 214M15/045M10

ALTERNATIVES : Stainless, Brass, Tufnol or Delrin

Double Spur Gears

10, 8 DP



20° Pressure Angle

Other numbers of teeth available

Torque is dependent upon the type of pinions used.

DISCOUNTS

Quantity	List Price
1 - 5	-
6 - 19	- 12%
20 - 39	- 25%
40 - 59	- 33%
60 - 99	- 37%
100 - 200	- 42%

For Torque Checks see Std. Spur Gears

For Corrected Teeth see Technical pages

NOTE: Certain sizes may need to be manufactured in 2 pieces

ALL DIMENSIONS IN INCHES

PART NUMBER	TEETH		PCD GEAR A	TEETH		PCD GEAR B	BORE Ø	ROOT Ø	PRICE EACH 1 - 5
	PITCH	GEAR A		GEAR B	GEAR B				
DG10-20/30	10	20	2.000	30	3.000	0.750	1.750	£95.73	
DG10-20/40	10	20	2.000	40	4.000	0.750	1.750	£117.12	
DG10-20/60	10	20	2.000	60	6.000	0.750	1.750	£201.59	
DG10-20/80	10	20	2.000	80	8.000	0.750	1.750	£299.76	
DG10-20/100	10	20	2.000	100	10.000	0.750	1.750	£401.29	
DG10-20/110	10	20	2.000	110	11.000	0.750	1.750	£563.60	
DG10-24/36	10	24	2.400	36	3.600	0.750	2.150	£116.49	
DG10-24/48	10	24	2.400	48	4.800	0.750	2.150	£146.78	
DG10-24/60	10	24	2.400	60	6.000	0.750	2.150	£199.26	
DG10-24/72	10	24	2.400	72	7.200	0.750	2.150	£273.02	
DG10-24/96	10	24	2.400	96	9.600	0.750	2.150	£382.55	
DG8-18/27	8	18	2.250	27	3.375	0.750	1.937	£116.72	
DG8-18/36	8	18	2.250	36	4.500	0.750	1.937	£148.94	
DG8-18/45	8	18	2.250	45	5.625	0.750	1.937	£175.91	
DG8-18/54	8	18	2.250	54	6.750	0.750	1.937	£256.47	
DG8-18/72	8	18	2.250	72	9.000	0.750	1.937	£382.39	
DG8-18/90	8	18	2.250	90	11.250	0.750	1.937	£612.48	
DG8-20/36	8	20	2.500	36	4.500	0.875	2.188	£152.39	
DG8-20/48	8	20	2.500	48	6.000	0.875	2.188	£219.69	
DG8-20/60	8	20	2.500	60	7.500	0.875	2.188	£294.18	
DG8-20/72	8	20	2.500	72	9.000	0.875	2.188	£382.39	
DG8-20/84	8	20	2.500	84	10.500	0.875	2.188	£539.37	

Unit 14, Foxwood Industrial Park, Foxwood Road, Chesterfield, Derbyshire S41 9RN

Telephone +44(0)1246 268080

Fax +44(0)1246 260003



363

Double Gears DP 10,8