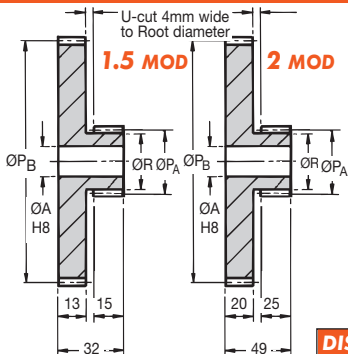


# Double Spur Gears

Materials

1.5, 2 MOD

STD : Steel 214M15/045M10  
ALTERNATIVES : Stainless, Brass, Tufnol or Delrin



20° Pressure Angle

Other numbers of teeth available

Torque is dependent upon the type of pinions used.

For Torque Checks see Std. Spur Gears

For Corrected Teeth see Technical pages

NOTE: Certain sizes may need to be manufactured in 2 pieces

**ALL DIMENSIONS IN MILLIMETRES**

## DISCOUNTS

Quantity	List Price
1 - 5	-
6 - 19	- 12%
20 - 39	- 25%
40 - 59	- 33%
60 - 99	- 37%
100 - 200	- 42%

Double Gears MOD 1.5, 2

PART NUMBER	TEETH PITCH	TEETH GEAR A	PCD GEAR A	TEETH GEAR B	PCD GEAR B	BORE Ø	ROOT Ø	PRICE EACH 1 - 5
DG1.5-16/24	1.5	16	24	24	36	10	20	£41.70
DG1.5-16/32	1.5	16	24	32	48	10	20	£42.75
DG1.5-16/48	1.5	16	24	48	72	10	20	£52.01
DG1.5-16/64	1.5	16	24	64	96	10	20	£63.26
DG1.5-16/80	1.5	16	24	80	120	10	20	£101.37
DG1.5-16/120	1.5	16	24	120	180	10	20	£172.95
DG1.5-20/40	1.5	20	30	40	60	10	26	£48.67
DG1.5-20/60	1.5	20	30	60	90	10	26	£63.26
DG1.5-20/80	1.5	20	30	80	120	10	26	£76.20
DG1.5-20/100	1.5	20	30	100	150	10	26	£109.35
DG1.5-20/120	1.5	20	30	120	180	10	26	£172.95
DG2-15/30	2.0	15	30	30	60	15	24	£55.93
DG2-15/45	2.0	15	30	45	90	15	24	£74.05
DG2-15/60	2.0	15	30	60	120	15	24	£134.44
DG2-15/75	2.0	15	30	75	150	15	24	£160.06
DG2-15/90	2.0	15	30	90	180	15	24	£179.23
DG2-15/120	2.0	15	30	120	240	15	24	£316.13
DG2-20/40	2.0	20	40	40	80	15	34	£71.78
DG2-20/60	2.0	20	40	60	120	15	34	£139.81
DG2-20/80	2.0	20	40	80	160	15	34	£176.38
DG2-20/100	2.0	20	40	100	200	15	34	£247.97
DG2-20/120	2.0	20	40	120	240	15	34	£316.13

356



Unit 14, Foxwood Industrial Park, Foxwood Road, Chesterfield, Derbyshire S41 9RN

Telephone +44(0)1246 268080

Fax +44(0)1246 260003