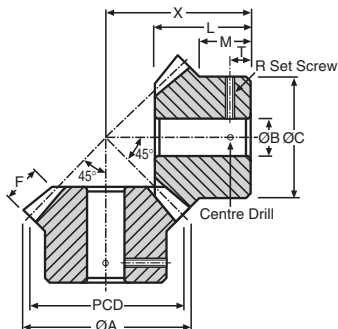


# Bevel Gears 1:1

## Materials

### 0.8 - 2.5 MOD

STD : Steel 080M40 (En8)  
Straight Cut - Gleason System



**20° Pressure Angle**

### DISCOUNTS

Quantity	List Price
1 - 5	-
6 - 19	- 5%
20 - 39	- 10%
40 - 59	- 15%
60 - 99	- 20%
100 - 200	- 25%

TORQUE CHECK	20 teeth x 1000 rpm					
	2.5 MOD	2 MOD	1.5 MOD	1.25 MOD	1 MOD	0.8 MOD
TORQUE Nm.	4.30	2.20	0.94	0.71	0.57	0.14
K.W.	0.455	0.231	0.097	0.08	0.03	0.015

PART NUMBER	TEETH	MOD	PCD	X	OA	OB	OC	L	M	F	R	T	PRICE EA.
													1-5
B2.5-16	16		40.00	50	43.50	15	35	36.80	27.50	8.00	M5	15.00	£21.04
B2.5-20	20	2.5	50.00	50	54.00	15	40	33.50	20.00	10.60	M5	12.00	£26.22
B2.5-25	25		62.50	50	66.00	15	55	30.50	15.00	15.00	M5	8.00	£28.20
B2-20	20		40.00	42	43.00	12	34	29.00	19.00	8.50	M5	10.00	£20.57
B2-25	25	2	50.00	42	52.83	12	40	25.52	12.00	10.60	M5	7.00	£22.97
B2-30	30		60.00	42	63.00	12	50	21.87	7.00	12.70	M5	4.00	£25.81
B1.5-20	20		30.00	35	32.12	10	26	25.17	18.00	6.35	M4	10.00	£17.61
B1.5-25	25	1.5	37.50	35	39.62	10	32	22.57	13.50	8.00	M4	7.00	£20.45
B1.5-30	30		45.00	35	47.12	10	38	19.92	9.00	9.50	M4	5.00	£21.64
B1.25-20	20		25.00	23	26.70	8	22	15.27	9.00	6.00	M4	3.50	£17.03
B1.25-25	25	1.25	31.25	28	33.00	8	25	17.87	9.20	7.00	M4	3.50	£19.21
B1.25-30	30		37.50	36	39.30	10	30	23.47	13.50	8.00	M4	5.00	£19.32
B1-20	20		20.00	25	21.41	8	18	18.45	14.00	4.24	M4	8.00	£16.23
B1-25	25	1	25.00	25	26.41	8	22	16.68	10.80	5.28	M4	6.00	£17.32
B1-30	30		30.00	25	31.41	8	26	14.95	8.00	6.35	M4	5.00	£18.44
B0.8-16	16		12.80	20	13.93	6	10	16.00	12.21	3.00	M3	7.00	£13.58
B0.8-20	20	0.8	16.00	20	17.13	6	13	14.76	10.51	3.40	M3	6.00	£14.20
B0.8-25	25		20.00	20	21.13	6	16	13.35	8.00	4.24	M3	5.00	£14.74
B0.8-30	30		24.00	20	25.13	6	20	11.96	6.00	5.09	M3	4.00	£15.94

Bevel Gears Steel MOD 0.8-2.5

216



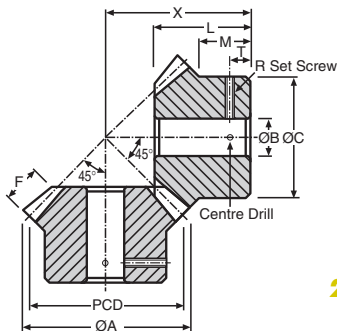
Unit 14, Foxwood Industrial Park, Foxwood Road, Chesterfield, Derbyshire S41 9RN  
Telephone +44(0)1246 268080 Fax +44(0)1246 260003

# Materials

STD : White Delrin  
Straight Cut - Gleason System

# Bevel Gears 1:1

## 0.8 - 2.5 MOD



20° Pressure Angle

### DISCOUNTS

1 - 5	List Price
6 - 19	- 5%
20 - 39	- 10%
40 - 59	- 15%
60 - 99	- 20%
100 - 200	- 25%

TORQUE CHECK	20 teeth x 1000 rpm					
	2.5 MOD	2 MOD	1.5 MOD	1.25 MOD	1 MOD	0.8 MOD
TORQUE Nm.	0.91	0.46	0.20	0.15	0.12	0.03
K.W.	0.09	0.05	0.02	0.016	0.013	0.003

PART NUMBER	TEETH	MOD	PCD	X	ØA	ØB	ØC	L	M	F	R	T	PRICE EA.
ZB2.5-16	16		40.00	50	43.50	15	35	36.80	27.50	8.00	M5	15.00	£12.82
ZB2.5-20	20	2.5	50.00	50	54.00	15	40	33.50	20.00	10.60	M5	12.00	£16.04
ZB2.5-25	25		62.50	50	66.00	15	55	30.50	15.00	15.00	M5	8.00	£18.27
ZB2-20	20		40.00	42	43.00	12	34	29.00	19.00	8.50	M5	10.00	£12.56
ZB2-25	25	2	50.00	42	52.83	12	40	25.52	12.00	10.60	M5	7.00	£14.03
ZB2-30	30		60.00	42	63.00	12	50	21.87	7.00	12.70	M5	4.00	£15.74
ZB1.5-20	20		30.00	35	32.12	10	26	25.17	18.00	6.35	M4	10.00	£10.75
ZB1.5-25	25	1.5	37.50	35	39.62	10	32	22.57	13.50	8.00	M4	7.00	£12.51
ZB1.5-30	30		45.00	35	47.12	10	38	19.92	9.00	9.50	M4	5.00	£13.22
ZB1.25-20	20		25.00	23	26.70	8	22	15.27	9.00	6.00	M4	3.50	£10.08
ZB1.25-25	25	1.25	31.25	28	33.00	8	25	17.87	9.20	7.00	M4	3.50	£12.10
ZB1.25-30	30		37.50	36	39.30	10	30	23.47	13.50	8.00	M4	5.00	£12.90
ZB1-20	20		20.00	25	21.41	8	18	18.45	14.00	4.24	M4	8.00	£9.91
ZB1-25	25	1	25.00	25	26.41	8	22	16.68	10.80	5.28	M4	6.00	£10.56
ZB1-30	30		30.00	25	31.41	8	26	14.95	8.00	6.35	M4	5.00	£11.28
ZB0.8-16	16		12.80	20	13.93	6	10	16.00	12.21	3.00	M3	7.00	£8.29
ZB0.8-20	20	0.8	16.00	20	17.13	6	13	14.76	10.51	3.40	M3	6.00	£8.64
ZB0.8-25	25		20.00	20	21.13	6	16	13.36	8.00	4.24	M3	5.00	£11.39
ZB0.8-30	30		24.00	20	25.13	6	20	11.96	6.00	5.09	M3	4.00	£11.58

Bevel Gears Plastic MOD 0.8-2.5

